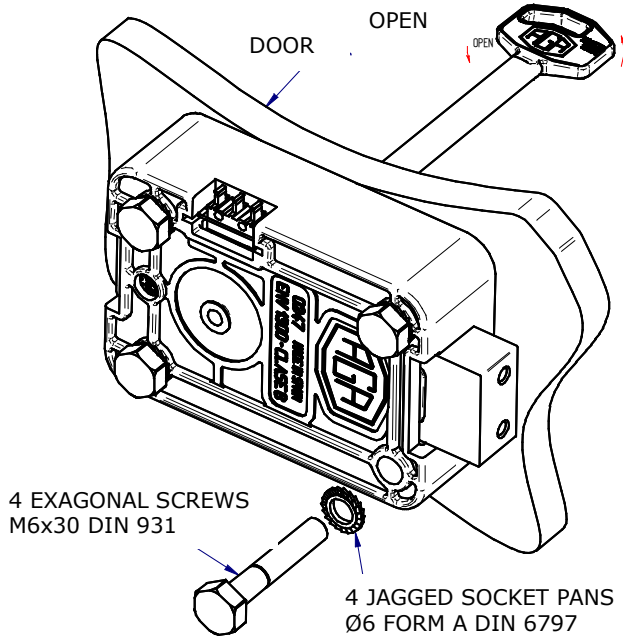




# INSTALLATION INSTRUCTIONS & SECURITY ADVICES

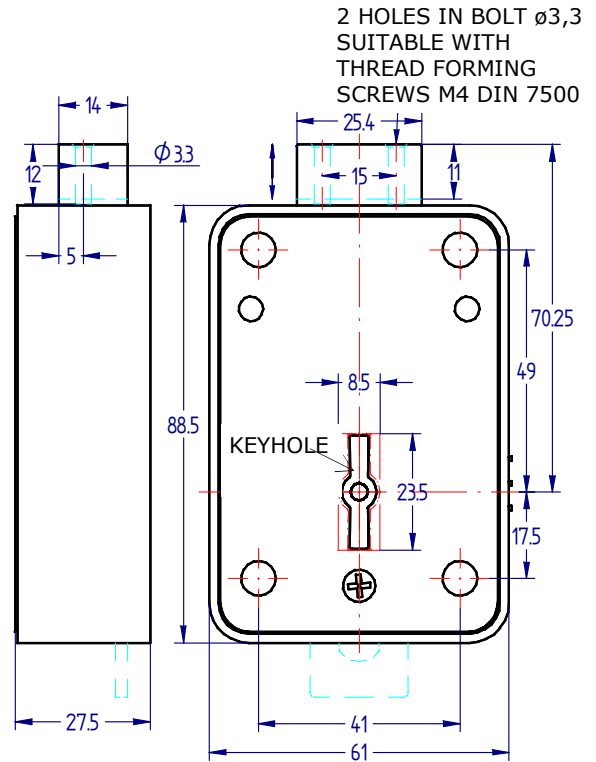
**HIGH SECURITY LOCK TYPE 0247  
EN1300 B / VDS 2**

## INSTALLATION DRAWING



Value of torque per screw for the correct fixing: 2,5 to 8Nm  
If the safe door is not flat it can concern the correct working of the lock once fixing.

## HSL DIMENSIONAL DRAWING



## INSTALLATION INSTRUCTIONS & SECURITY ADVICES

- Security relevant parts of HSL should not be accessible to unauthorised persons when the door of secure storage unit to which it is fitted is open.
- When installing the lock special attention should be paid to provide sufficient protection against vandalism.
- The keyhole in the secure storage must not exceed the area shown in the drawing.
- The key is to be removed always after the opening and/or locking procedure so that no unauthorised persons have access to it.
- In the case of a key loss, the lock is to be exchanged immediately or the opening code is to be changed to a new code.
- Lock installation has to be done in accordance to those instructions. Those instructions are basis for the VdS approval.

## LOCK BOLT LOAD AND ACTUATING FORCES

- The lock bolt has been tested with a load of 1kN. It has to be considered that no high force is applied to the bolt during normal operation.
- Maximum load against moving direction is 2,5N.
- The key shall not be turned with a higher torque than 2,5Nm.

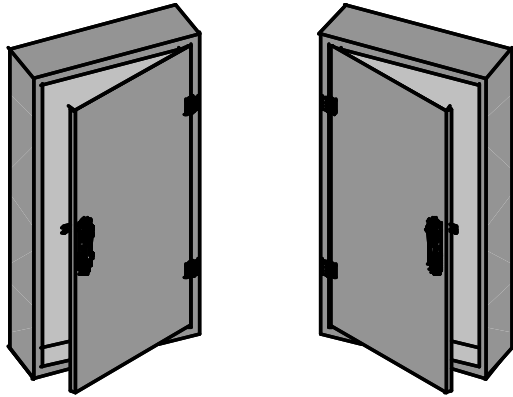
EN 1300 / (VdS)	
CLASS	MINIMUM N° OF USABLE CODES
B / (2)	100.000 / (200.000)



# INSTALLATION INSTRUCTIONS & SECURITY ADVICES

HIGH SECURITY LOCK TYPE 0247  
EN1300 B / VDS 2

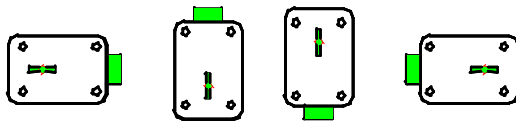
## INSTALLATION POSITIONS



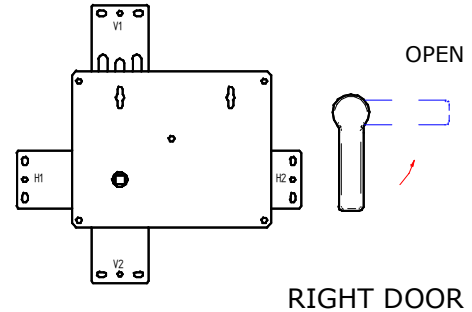
RIGHT HAND  
DOOR

LEFTT HAND  
DOOR

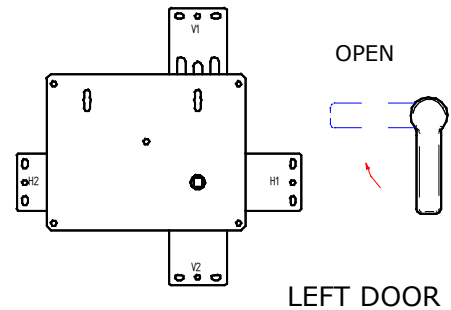
RIGHT    UP    DOWN    LEFT



## BOLT WORKS



RIGHT DOOR



LEFT DOOR

- Bolt Works can be installed in left or right hand safes.
- The distance to the base plate of the band shaft (H2) or locking shaft (H1) is the same in both cases (right or left bolt works).
- See the standard opening directions.