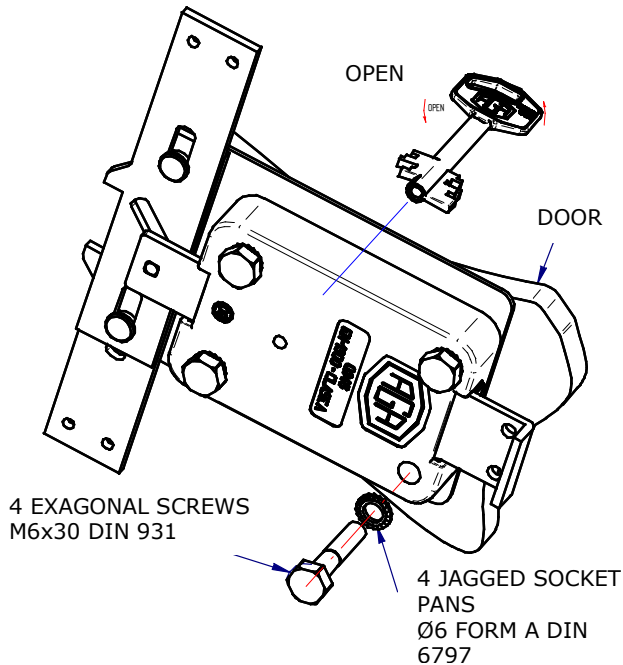




INSTALLATION INSTRUCTIONS & SECURITY ADVICES

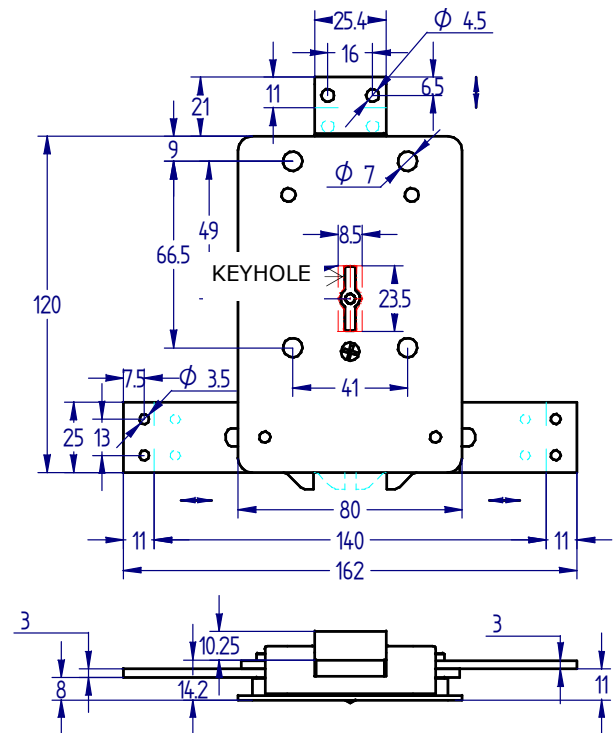
**HIGH SECURITY LOCK TYPE 0248
EN1300 A / VDS 1**

INSTALLATION DRAWING



Value of torque per screw for the correct fixing: 2 to 3Nm
If the safe door is not flat it can concern the correct working of the lock once fixing.

HSL DIMENSIONAL DRAWING



INSTALLATION INSTRUCTIONS & SECURITY ADVICES

- Security relevant parts of HSL should not be accessible to unauthorised persons when the door of secure storage unit to which it is fitted is open.
- When installing the lock special attention should be paid to provide sufficient protection against vandalism.
- The keyhole in the secure storage must not exceed the area shown in the drawing.
- The key is to be removed always after the opening and/or locking procedure so that no unauthorised persons have access to it.
- In the case of a key loss, the lock is to be exchanged immediately or the opening code is to be changed to a new code.
- Lock installation has to be done in accordance to those instructions. Those instructions are basis for the VdS approval.

LOCK BOLT LOAD AND ACTUATING FORCES

- The lock bolt has been tested with a load of 1kN. It has to be considered that no high force is applied to the bolt during normal operation.
- Maximum load against moving direction is 2,5N.
- The key shall not be turned with a higher torque than 2,5Nm.

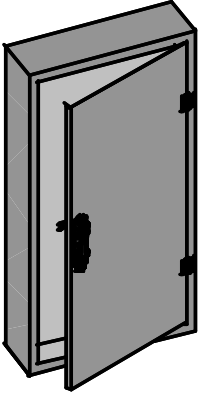
EN 1300 / (VdS)	
CLASS	MINIMUM N° OF USABLE CODES
A / (1)	25.000 / (80.000)



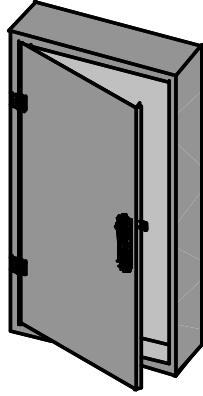
INSTALLATION INSTRUCTIONS & SECURITY ADVICES

HIGH SECURITY LOCK TYPE 0248
EN1300 A / VDS 1

INSTALLATION POSITIONS



RIGHT HAND
DOOR



LEFTT HAND
DOOR

LEFT

RIGHT

